

NexLoc



A simple locking solution, utilizing the latest in wireless long range, low power technology (LoRa), with multiple access options.

Secure, Manageable and Safe

Each **NexLoc** uses a high-quality electrified mortice locking system combined with multiple types of entry options: PIN Pad, Prox Card, Mobile Credential and Key. Doors access is managed onsite by a simple host software platform. Assign door access periods, PIN codes and card credentials. Access history is also logged in the system.

Simple onsite management software communicates via LoRa gateway to each set of up to 16 doors per gateway. Simply add more gateways for each bank of 16 doors.

Features:

- ANSI electrified Mortice lock (Grade 1), UL 10C - 3 hours fire rating
- Battery powered with low battery warning and Type C USB for emergency power
- Responsive touch keypad (LED backlit)
- PIN code, RFID card, mobile credential, key
- LoRa gateway wireless communications to each door
- Optional continuous power (PowerJack) for reduced battery maintenance
- On-site host management software

Applications:

- Interior and exterior
- Rooms, suites, offices, store rooms, common access areas, secure access areas and more
- Designed for lodging, hotels, resorts, multi-tenant, and rentals



Integrated PIN Pad,
Prox Card Reader,
and Mobile Credential



PROX CARD



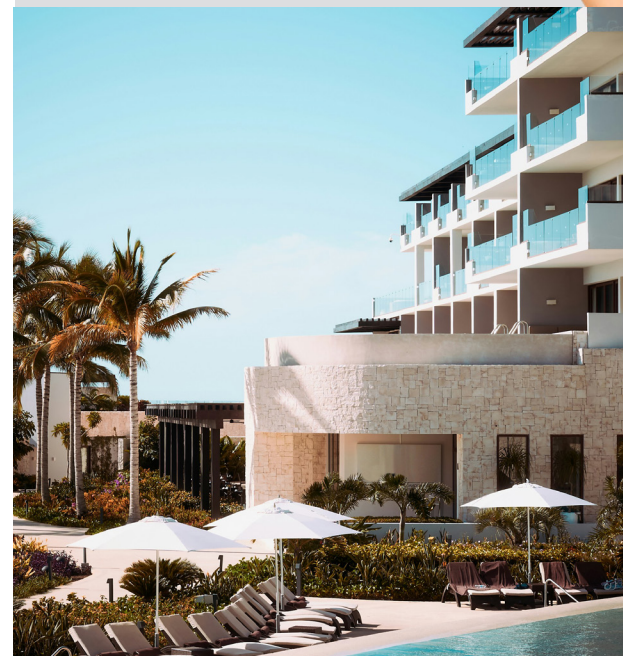
BLUETOOTH



KEY



PIN CODE



LoRa Point to Point Solution

Simple onsite management software communicates via LoRa gateway to each set of up to 16 doors per gateway. Simply add more gateways for each bank of 16 doors.

- Look up the history logs from the web
- Authorize, or change user's access from the web
- Remote unlocking by clicking the tab "Emergency Unlocking" and waking up touch keypad onsite, which lasts for 5 minutes
- Door sensor, and lock sensor options available
- Data can be synchronized and stored by the cloud or server
- Synchronize data either automatically from the web one time each day, or manually from the lock
- One gateway can configure 1 to 16 locks
- Power status of lock shows from the web

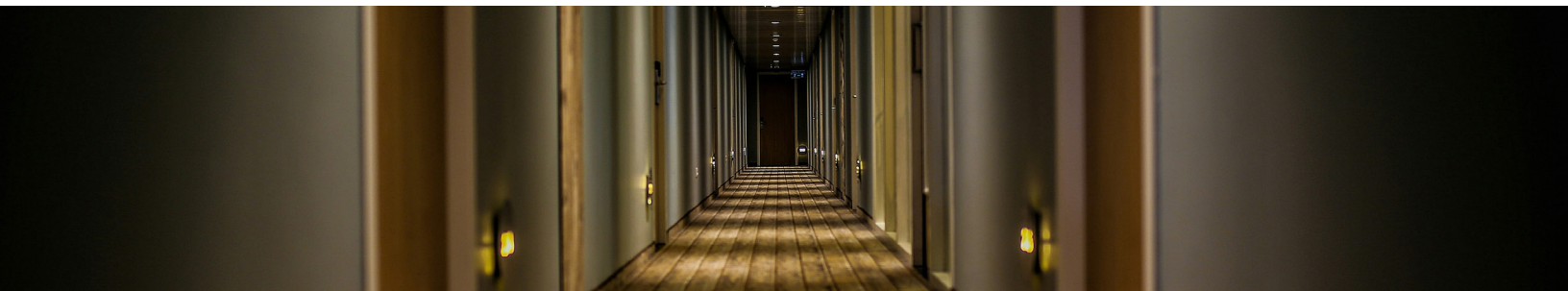


LoRa Gateway

- Communication range within 150 meters without any walls or obstructions interfering
- Data transmission range (up to 12cm reinforced concrete wall)
- Gateway configuration - One gateway configures 1 to 16 digital locks, depends on the site distance, range, and interval time of data transfer.

Gateway Specifications:

LoRa Chip: SX1262, Frequency: 433/868/915/920 Mhz,
 Power Input: 110/220V, Operational Voltage: 12VDC,
 Operational Temperature: -20°C to 55°C,
 Comm. Interface: TCP/IP, Comm. Rate: 10/100M,
 Max. Output Power: +22dBm



Description	Details
Card Compatibility	Mifare 13.56MHz / ISO 14443A
Capacity	Unlimited users (use codes & cards)
Card Reading Distance	20 to 30mm
Lockset Options	ANSI mortise lock, Cylindrical lock, or EN mortise lockset option
Finish	US26D, US32D
Door Thickness	40 to 80mm
Backset	70 mm (ANSI mortise lockset) 60 mm (EN mortise lockset)
PowerSupply	Lithium batteries 18650, 3.7V (3 pieces per lock)
Battery Life	up to 12 months
Working Temperature	-20°C to 70°C (- 4°F to 158°F)
ANSI Mortise Lock	US ANSI Grade 1, UL 10C - 3 hours fire rating
EN Mortise Lock	EN 179:2008 - Emergency exit, EN 1634-1:2004 – Fire rated up to 4 hours. EN 12209:2003/ AC:2005 - Building hardware. Lock and latch. Mechanically lock, latch, and locking plate EN14846:2008 - Building hardware. Lock and latch. Electromechanically operated lock, latch, and locking plate.

Optional PowerJack

No need for batteries. Provide direct power at the door for the electrified mortise lock.

Features:

- Supply power wirelessly
- Provide door status
- Second power source at door site
- Status indicator LED for both sides
- Minimal maintenance

Refer to PowerJack Cut sheet for more details.



Optional LoRa Remote Reader

Provide access for glass doors, gates and elevator cabs

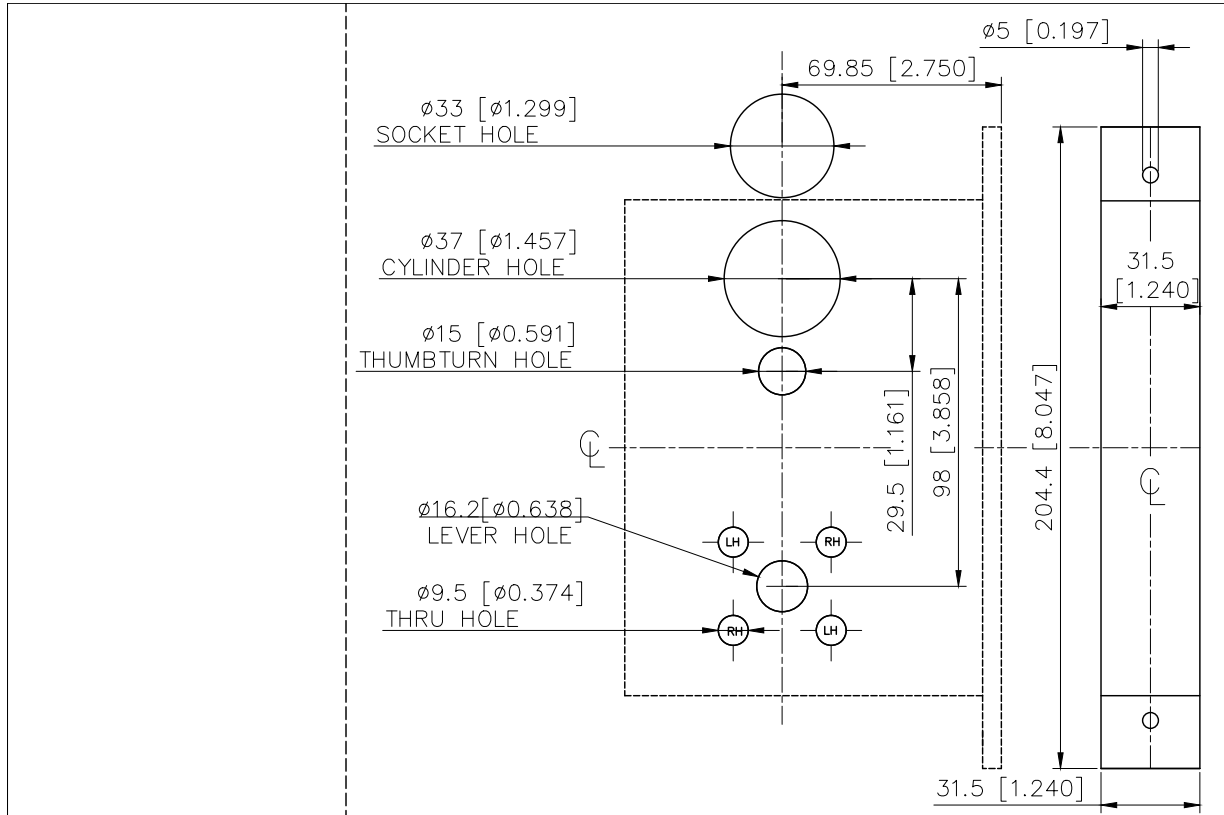
Features:

- For use with glass doors, gates and elevator cab access
- Remote lock / unlock for electrified bolt door lock
- Also for use with maglocks

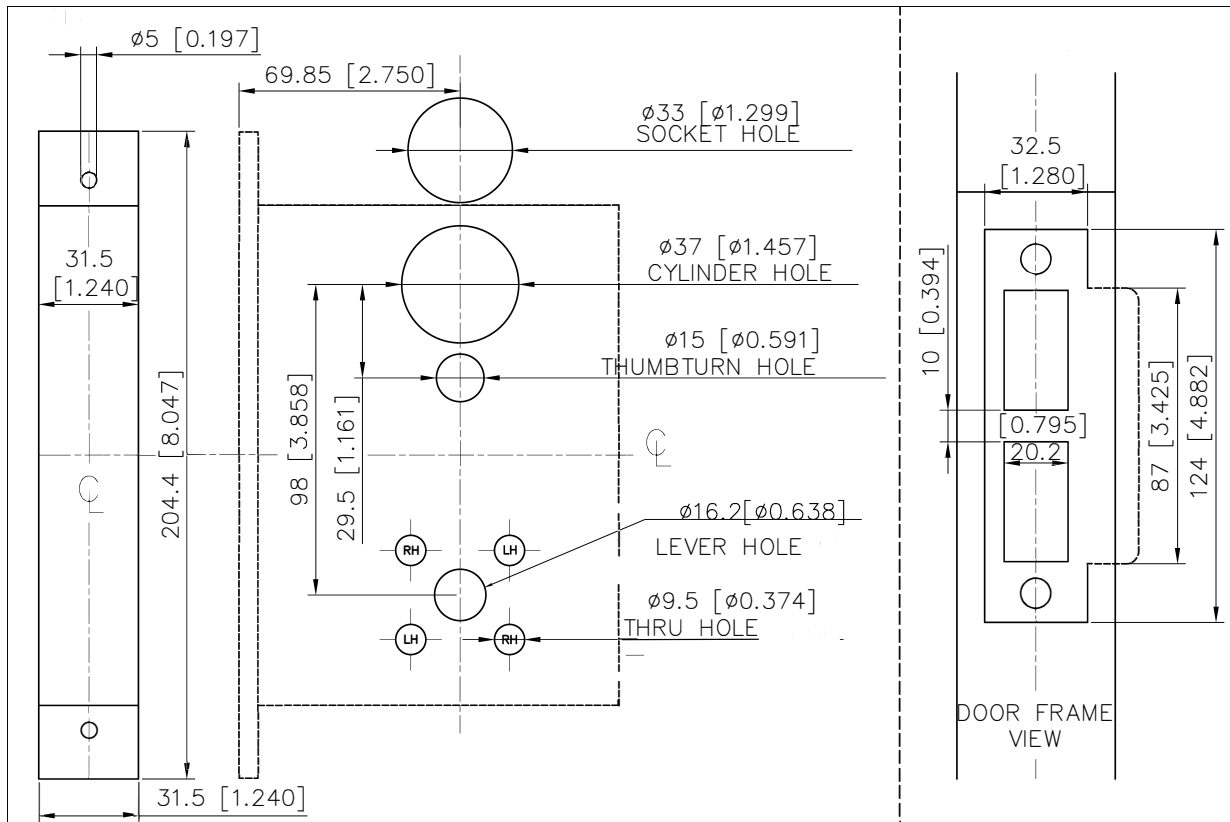
Contact your PCSC representative for more product details.



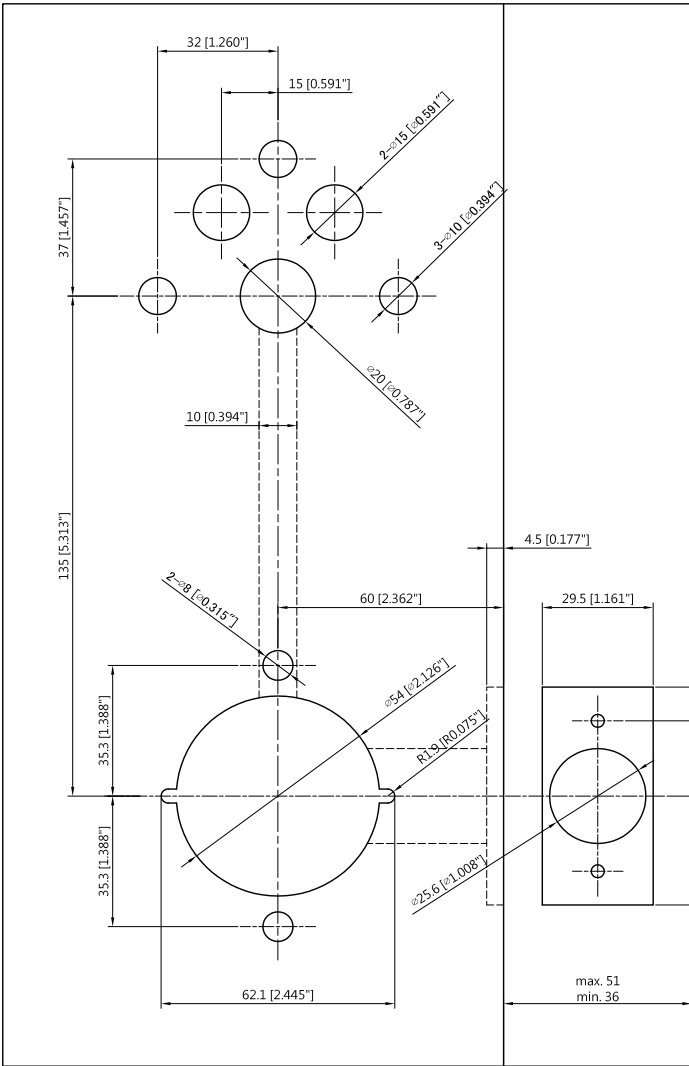
Template A (LoRa all-in-one)



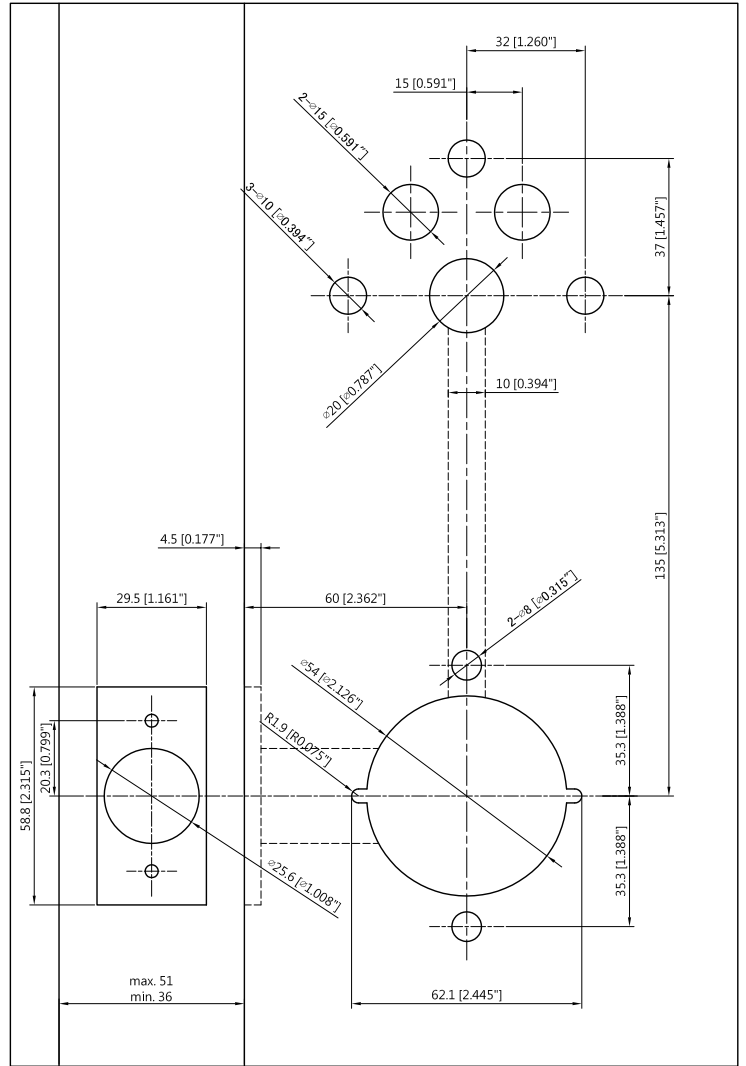
Template B (LoRa all-in-one)



Template A (60mm) - Cylindrical

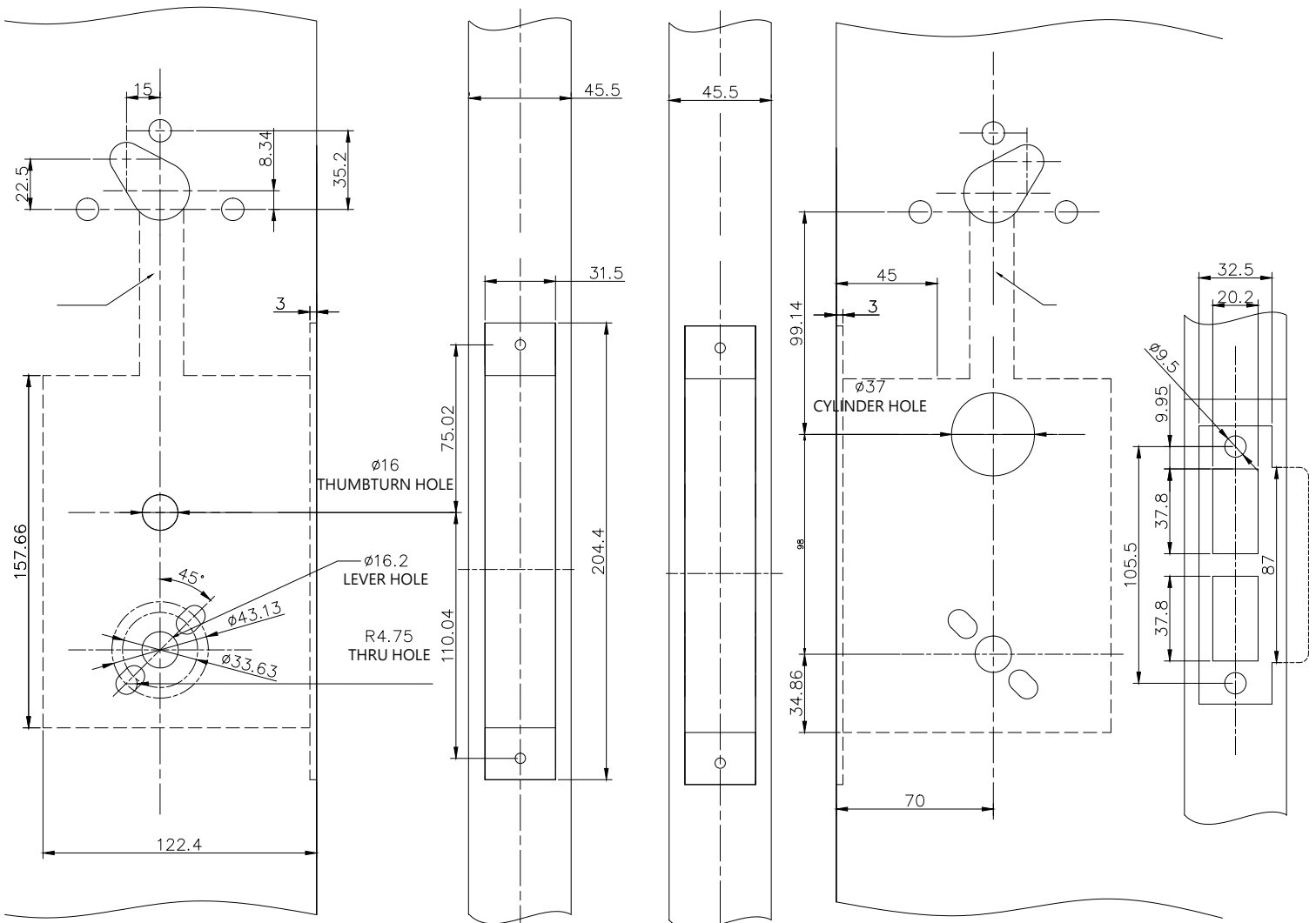


Template B (60mm) - Cylindrical

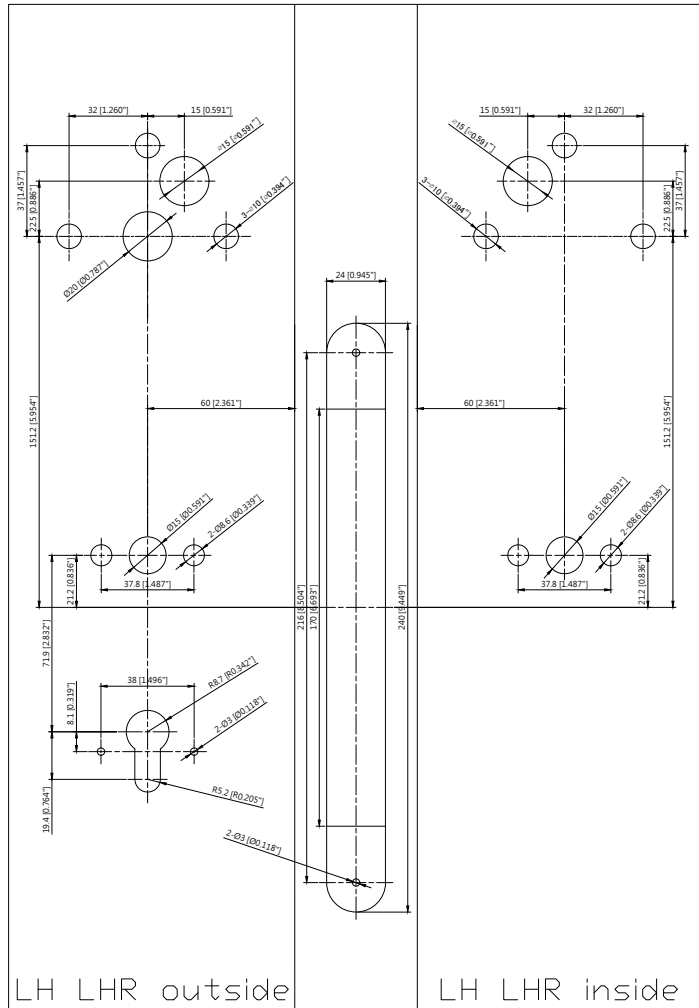


ANSI Inside

ANSI Outside



EN Mortice LH LHR



EN Mortice RH RHR

